

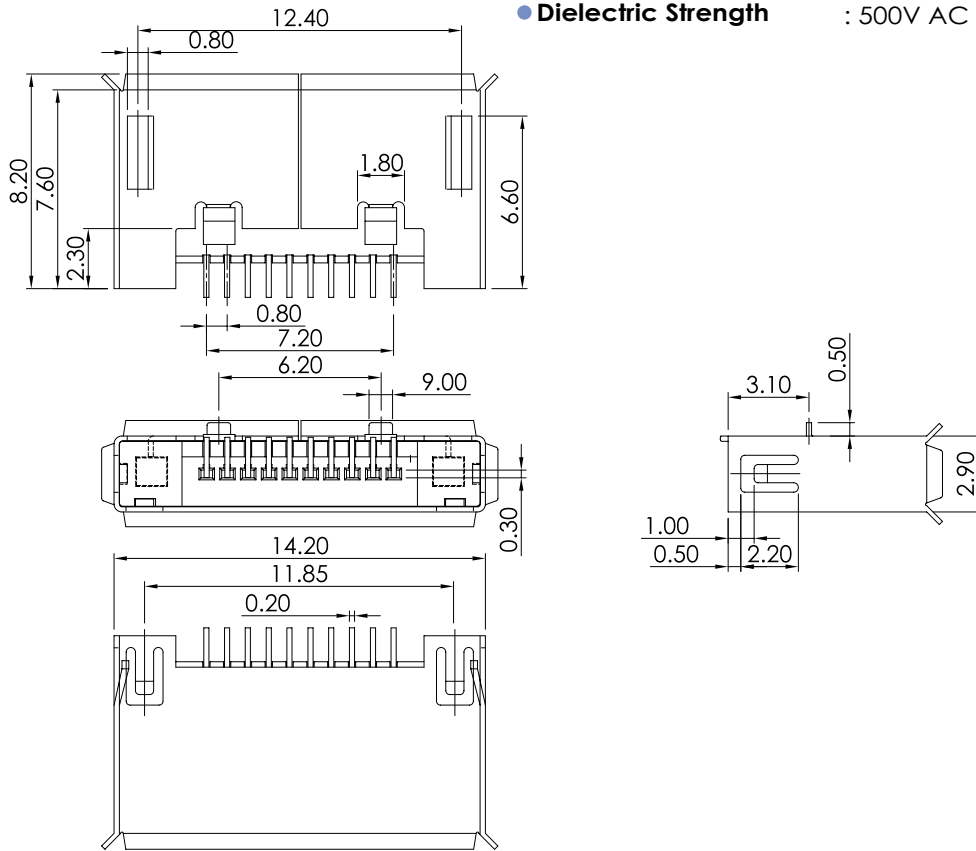
# 0.8mm PITCH I/O CONNECTOR



## 800308MB Series

### Specifications:

- **Insulator Material** : Black High Temp. Plastic
- **Operating Type Range** : -40°C TO +105°C
- **Terminal Material** : Phos. Bronze
- **Platings** : Contact-Selective Gold  
Plated or Full Gold Plated
- **Max. Current Rating** : 0.5A
- **Max. Voltage Rating** : 100V AC
- **Dielectric Strength** : 500V AC For 60 Seconds



## Order Information

800308MB010□□00Z0

1 2 3 4 5

1. 'B' : Right Angle SMT Type
  2. No. of pins.
  3. Plating
  4. Color 'Z' : Black
  5. Package
- 'O' : Slim Box Without Cap  
Reference Page 11

## Recommended P.C.B Layout

